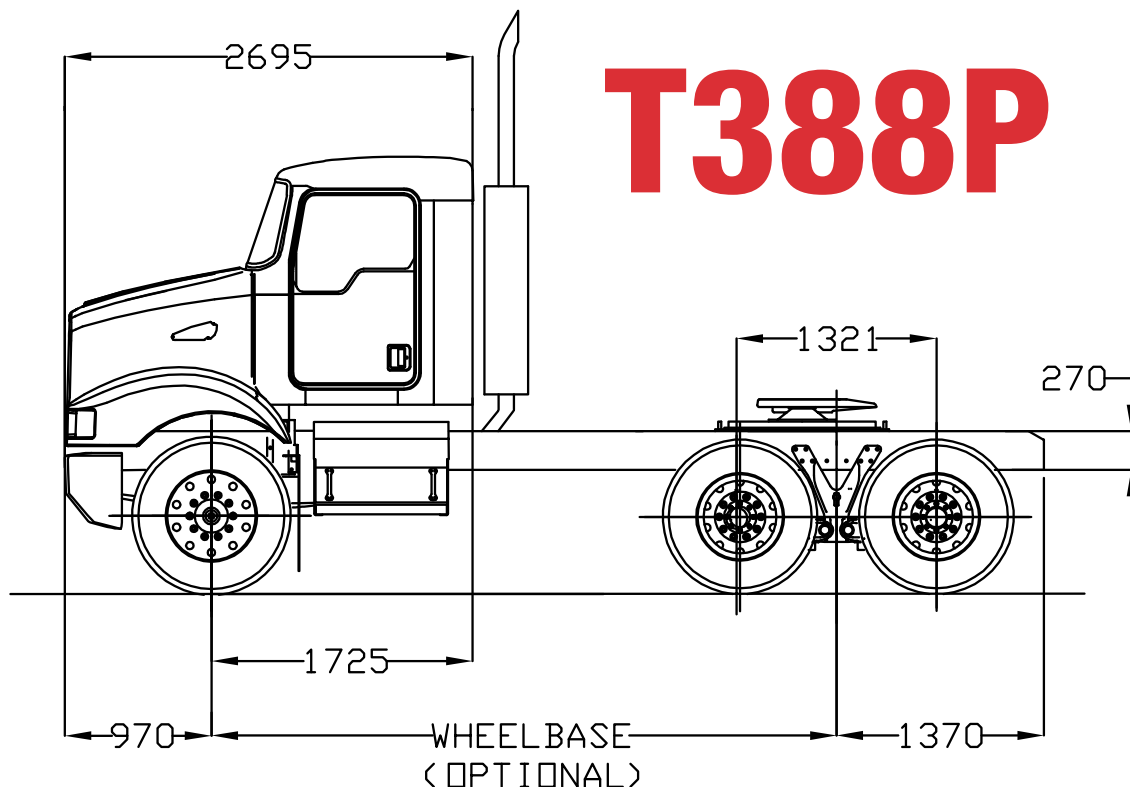


T388P



AUSTRALIAN MADE. WORLD'S BEST.

Vehicles shown may include some non-standard optional equipment.



T388P

The T388P is a prime mover specifically suited to metropolitan and intrastate applications, including single trailer, and 19m B-Doubles to 60 tonne GCM, dry van and tanker trailers. The T388P a low tare weight, simple to own and operate truck with superior forward visibility and tight turning circle.

MAIN SPECIFICATIONS AND OPTIONS

CONFIGURATION

6 X 4, 4x2

ENGINE

CAT C13 410HP 1450/1650lbft

CAT C13 430HP 1650lbft

CAT C13 470HP 1650lbft

FRONT AXLES

Dana E-1322 6T

Meritor FG941 6.6T

SUSPENSION

Air Glide 400 18.1t cap

Meritor AC6P 6-ROD 18.1t cap

TYRES

Bridgestone 295/80 R22.5 R150 II - 2 steer

Bridgestone 295/80 R22.5 M722 - Drive

Bridgestone 275/70 R22.5 R294 - 2 steer

Bridgestone 275/70 R22.5 M711 - Drive

WHEELS

Alcoa 8.25" - 285 PCD

Steel Disc Wheels 8.25" - 285 PCD

Alcoa 8.25" - 335 PCD

EXHAUST

Single exhaust, post mounted outboard LHS

Single under chassis mounted exhaust w/ RH discharge

Dual cab mounted exhaust

FRONT SPRINGS

Front springs, 6.5t taper leaf (for 9" susp)

BUMPER

Painted steel bumper

Brushed aluminium bumper

FUPS Compliant bumper

MIRRORS

Flat mirrors - heated

Spotter mirrors below main

Peeper window LHS spotter mirror

Flat mirrors - heated with moto mirror

TRANSMISSION

A range of manual and autoshift 10, 13 and 18 speed

Eaton transmissions to suit a wide variety of applications

and engine torque requirements.

REAR AXLES

A range of heavy duty steer and drive axle options from

Dana and Meritor are available to suit various applications

and GCM requirements.

CABINS

Huckbolted aluminium frame with aluminium, steel

and fibreglass rivetted construction using aerospace

technology. Aluminium bulkhead type doors with

continuous piano-type hinges. Cabs are ECE29 compliant.

SLEEPER OPTIONS

An array of cabin configurations is available including Day,

28" and 36" flat roof variants.

INTERIOR

Cabin appointments including aircraft style instrumentation,

colour coordinated trim, woodgrain dash and heavy duty

studded vinyl available.